



NEW!



- Full biological treatment for your wastewater
- Complete water recovery for irrigation
- Available for treatment capacities up to 2.8 m³ per day

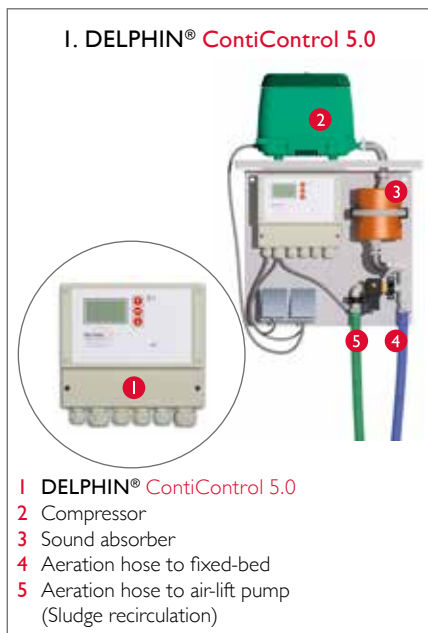
**Quality
for Your
Project**

Made in Germany

Complete wastewater reuse system with full biological treatment and UV-sanitation

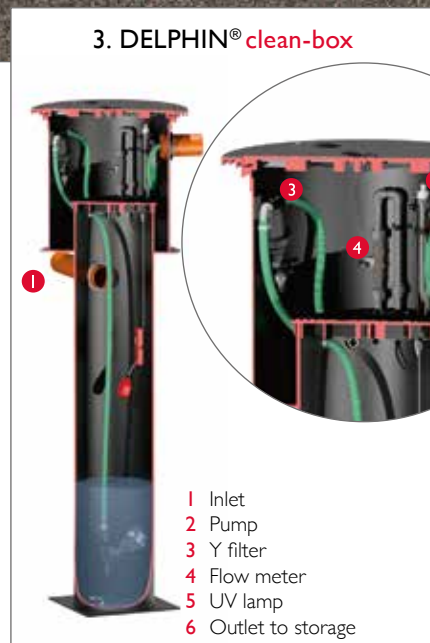
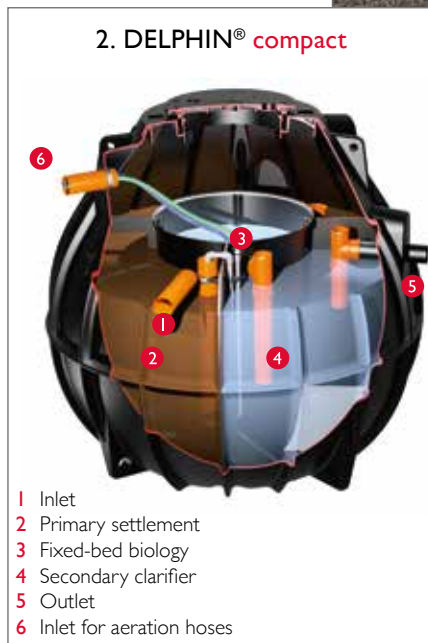
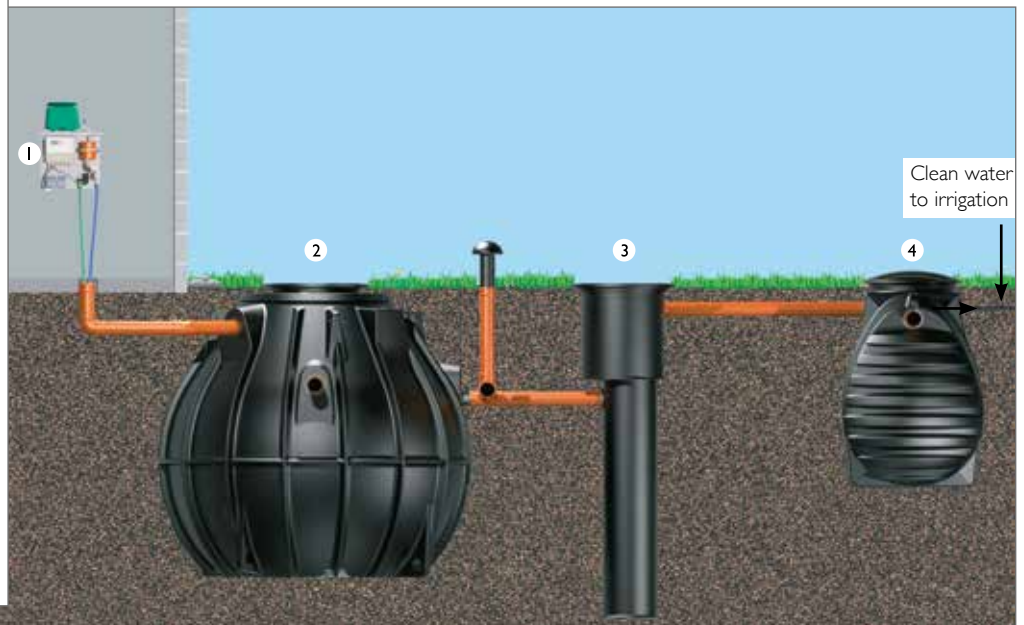
1. All-in-one DELPHIN® ContiControl 5.0

DELPHIN® ContiControl 5.0 is an all-in-one control panel for your water recycling system. It manages the fixed-bed aeration and the UV unit for efficient treatment with best results. The special holiday mode reduces the energy consumption down to 10% in times when the plant is not in use, while keeping the biology steady for immediate reactivation.



2. Biological treatment with DELPHIN® compact

For years DELPHIN® compact plants have been a bestseller. By now, thousands of households treat their wastewater with the well-proven biological fixed-bed technology. DELPHIN® compact as stand-alone solution already complies with the strict German and French norms for wastewater infiltration. The ability to adapt to varying loads makes DELPHIN® plants the perfect solution for homes and seasonally used holiday houses.



3. UV-sanitation with DELPHIN® clean-box

DELPHIN® clean-box provides chemical-free disinfection for your treated wastewater. A combination of filtration and UV-radiation very effectively kills off remaining pathogens in the effluent. With a guaranteed reduction of faecal coliforms below 100 cfu / 100 ml the water can be safely reused for irrigation of green spaces.

4. Clean storage with DELPHIN® reservoir

If you don't have storage possibilities for your recycled water, yet, DELPHIN® reservoir is the solution. Order it as add-on to your DELPHIN® compact CB to ensure clean storage for your irrigation water and have it available, when it is needed.